



CAVE DO VINHO

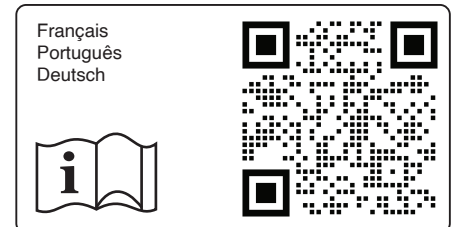


English

## WARNING!

**Risk of serious or fatal injury by crushing in case of improper use.**

Read carefully and follow each step of these instructions closely.



Français

## ATTENTION!

**Risque de blessure grave ou mortelle par écrasement en cas de utilisation inappropriée.**

Lire attentivement et suivre soigneusement chacune des étapes de ces instructions.

Português

## ATENÇÃO!

**Risco de lesão grave ou fatal por esmagamento em caso de uso inadequado.**

Leia atentamente e siga cuidadosamente cada uma das etapas destas instruções.

Deutsch

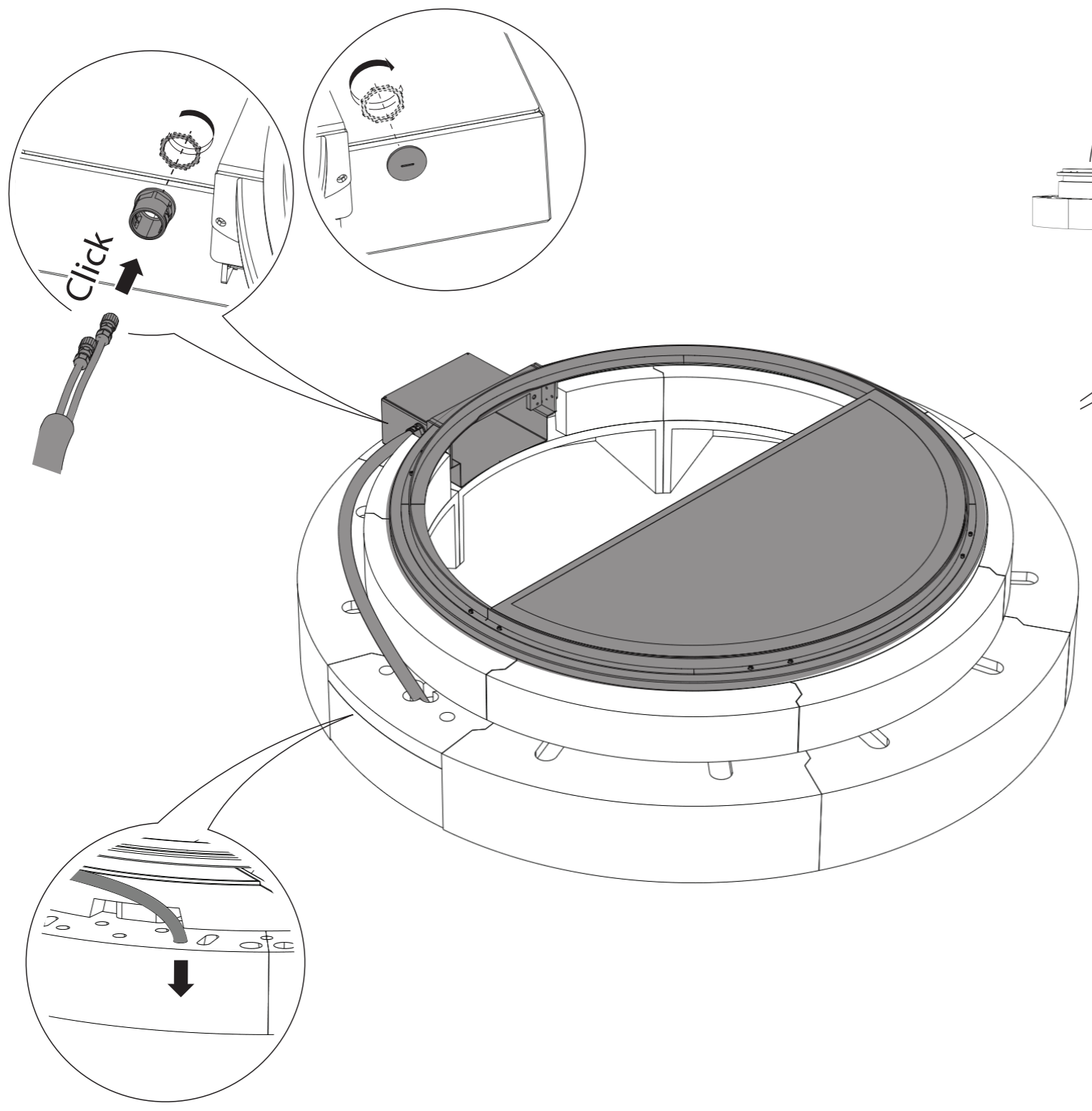
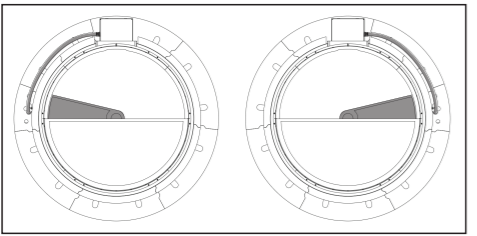
## ACHTUNG!

**Gefahr schwerer oder tödlicher Verletzungen durch Quetschungen bei unsachgemäßer Verwendung.**

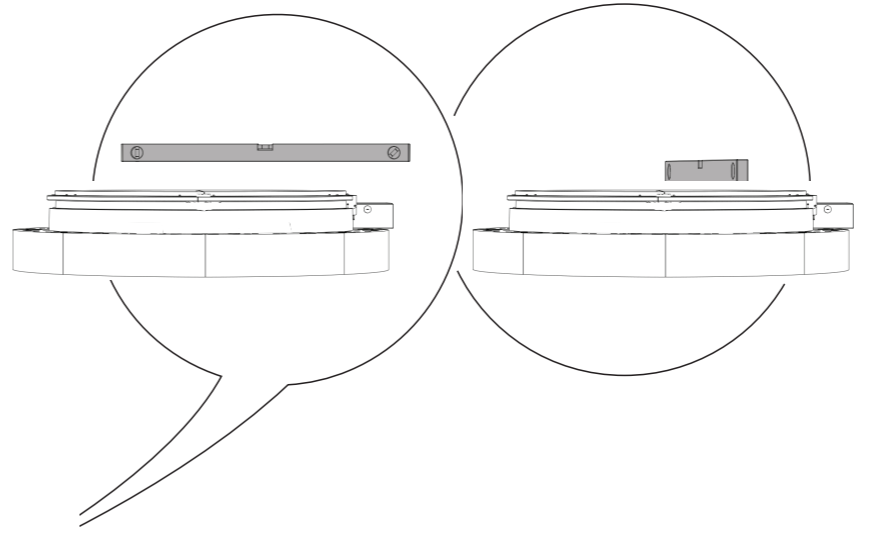
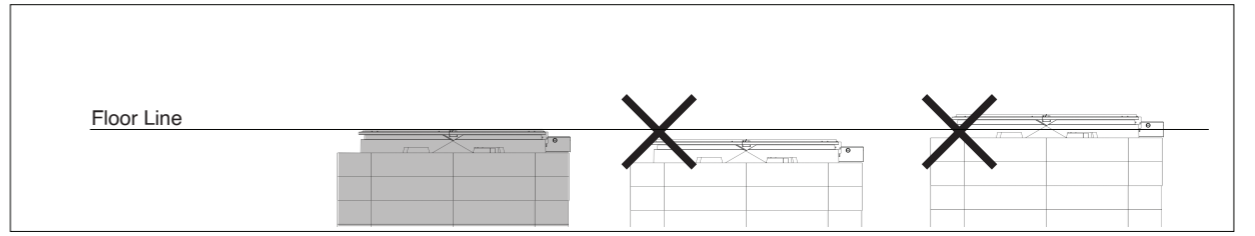
Lesen Sie diese Anweisungen sorgfältig und befolgen Sie jede einzelne der Schritte genau.



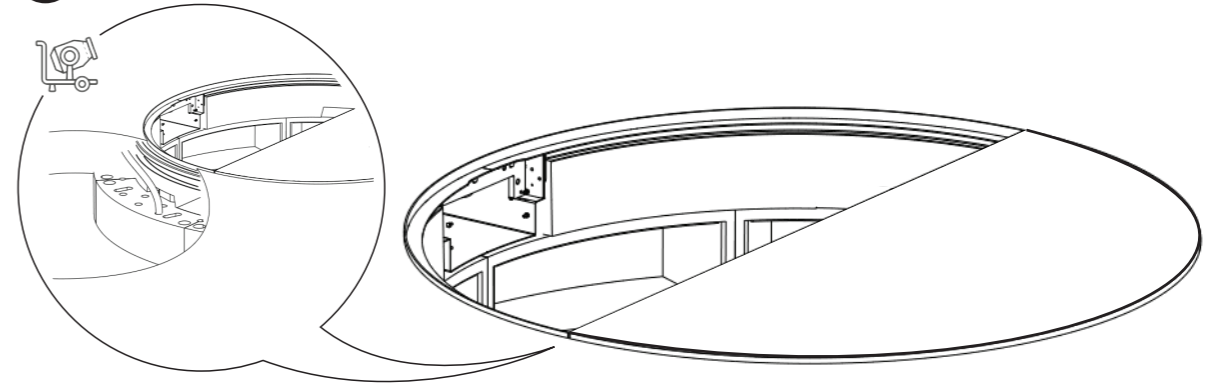
3



4

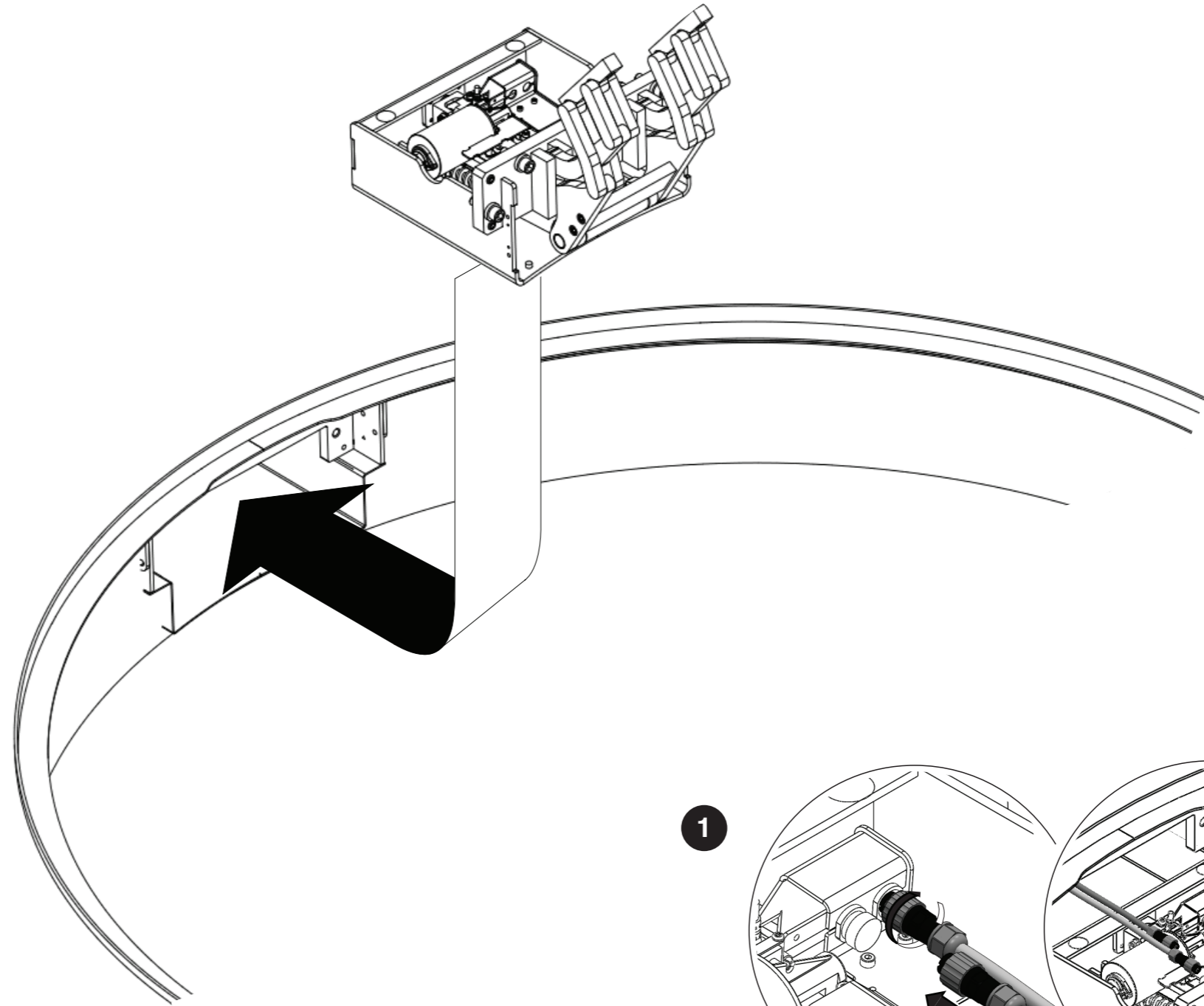
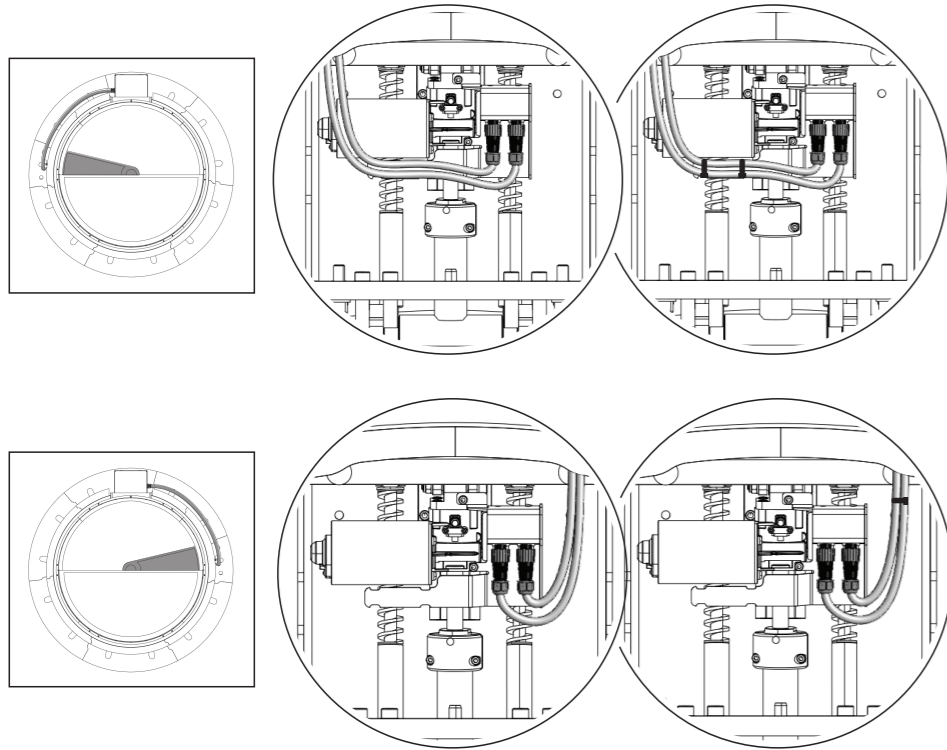
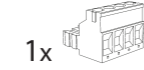
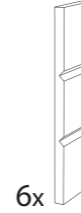
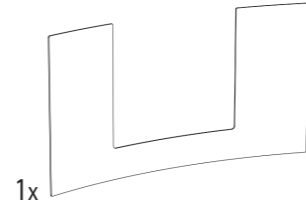
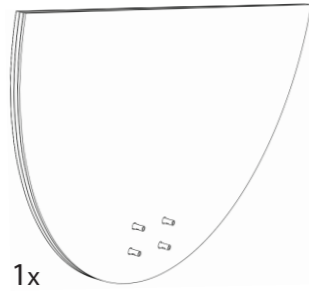
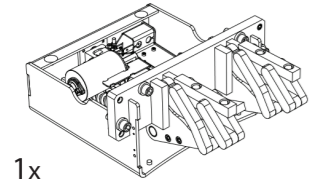


5

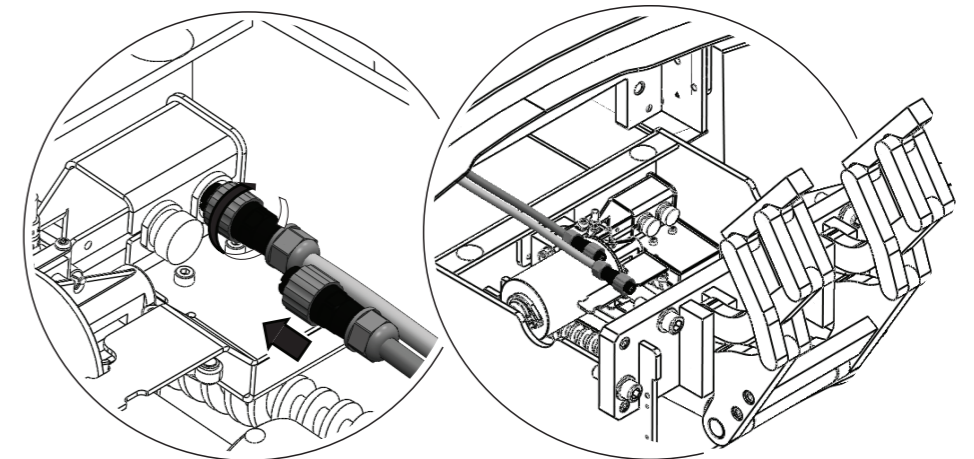


## 2 Mechanism Setup

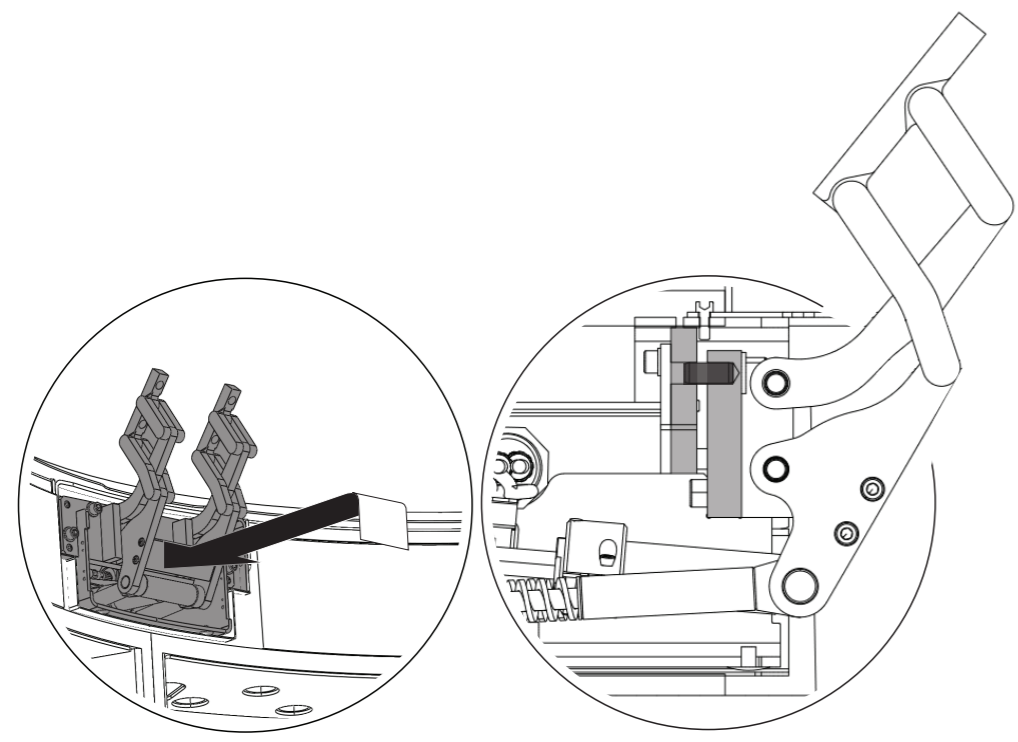
Parts



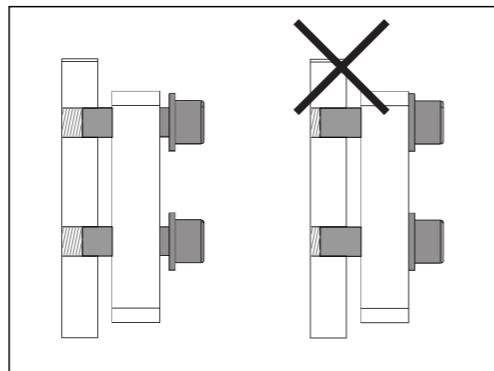
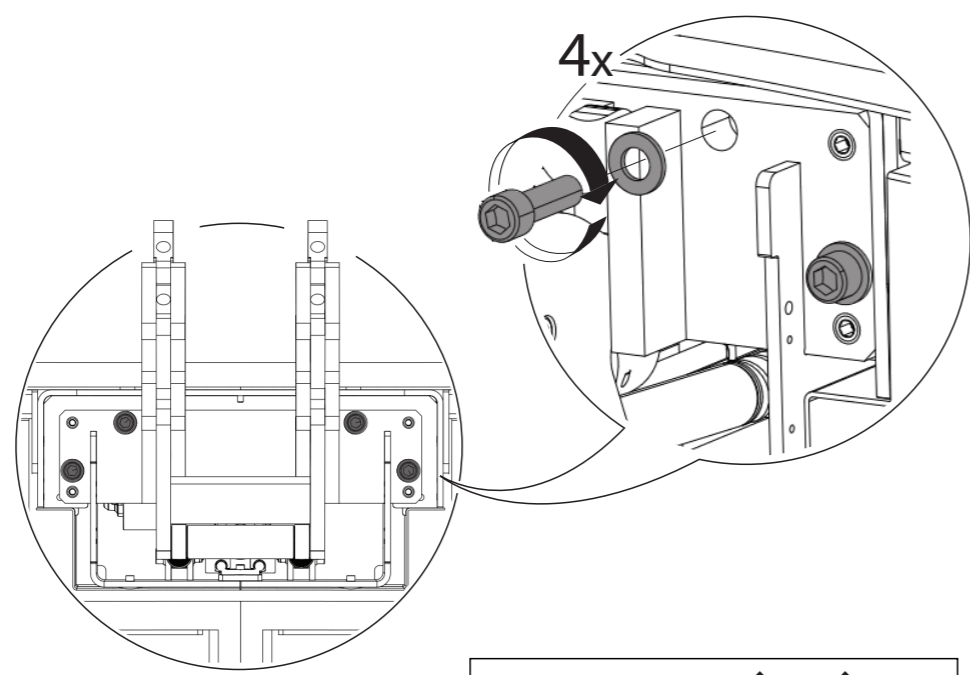
1



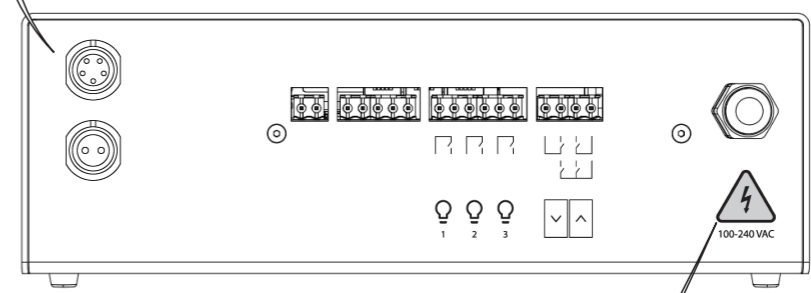
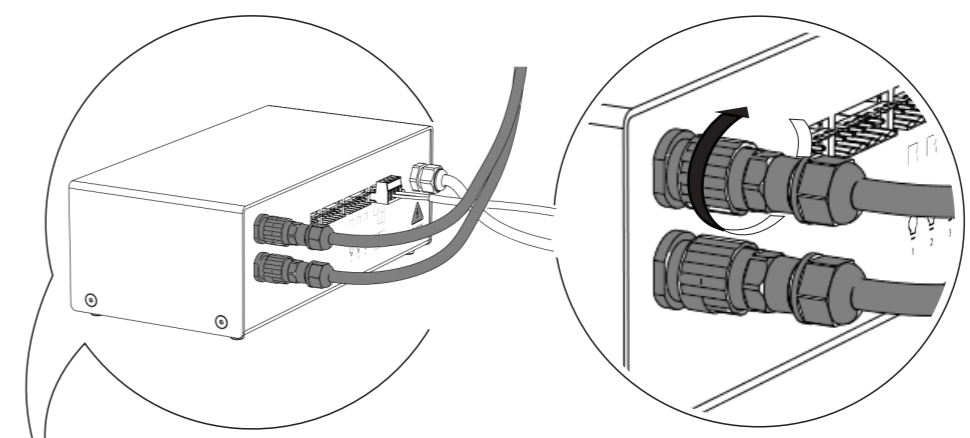
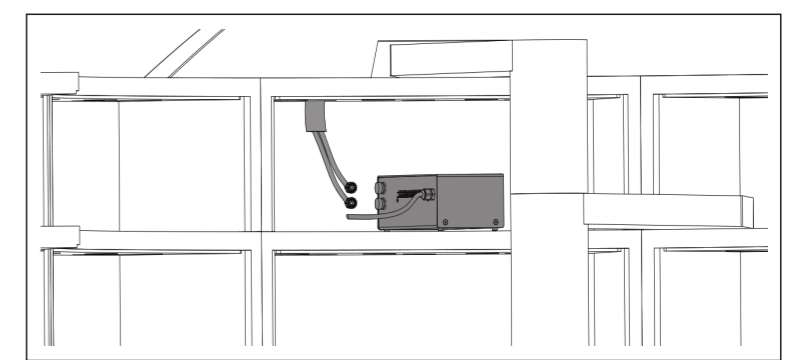
2




3

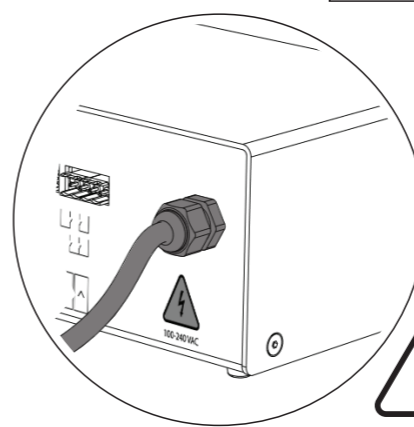


4

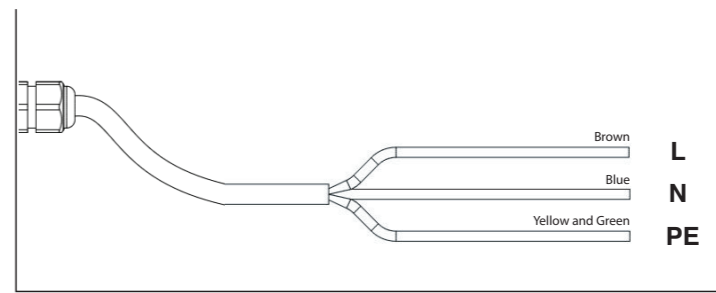


5

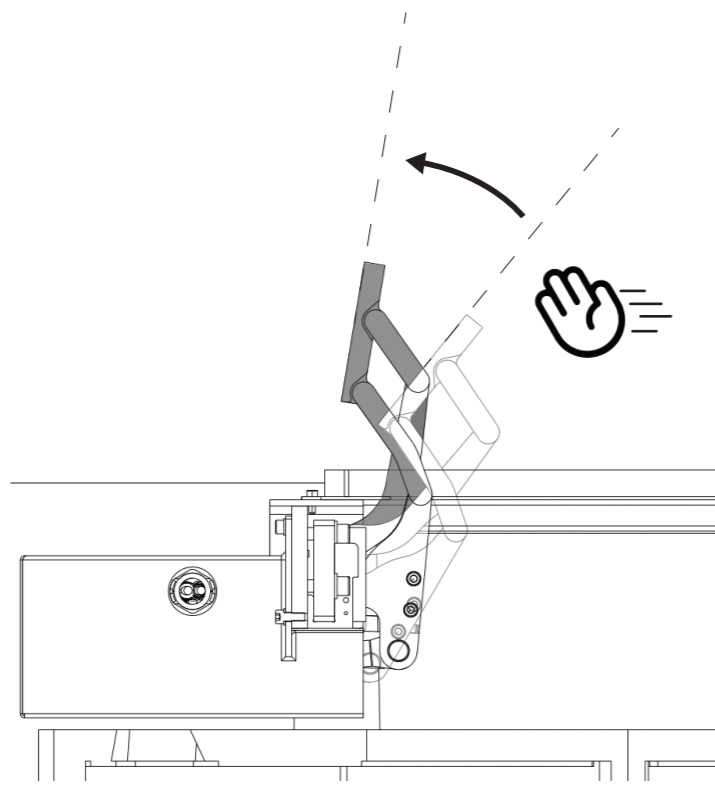
 When connected to the network, alerts will be activated. Ignore them during installation.



**WARNING!**  
Hazardous Voltage (230V). Contact may cause shock and injury. Disconnect power before servicing.

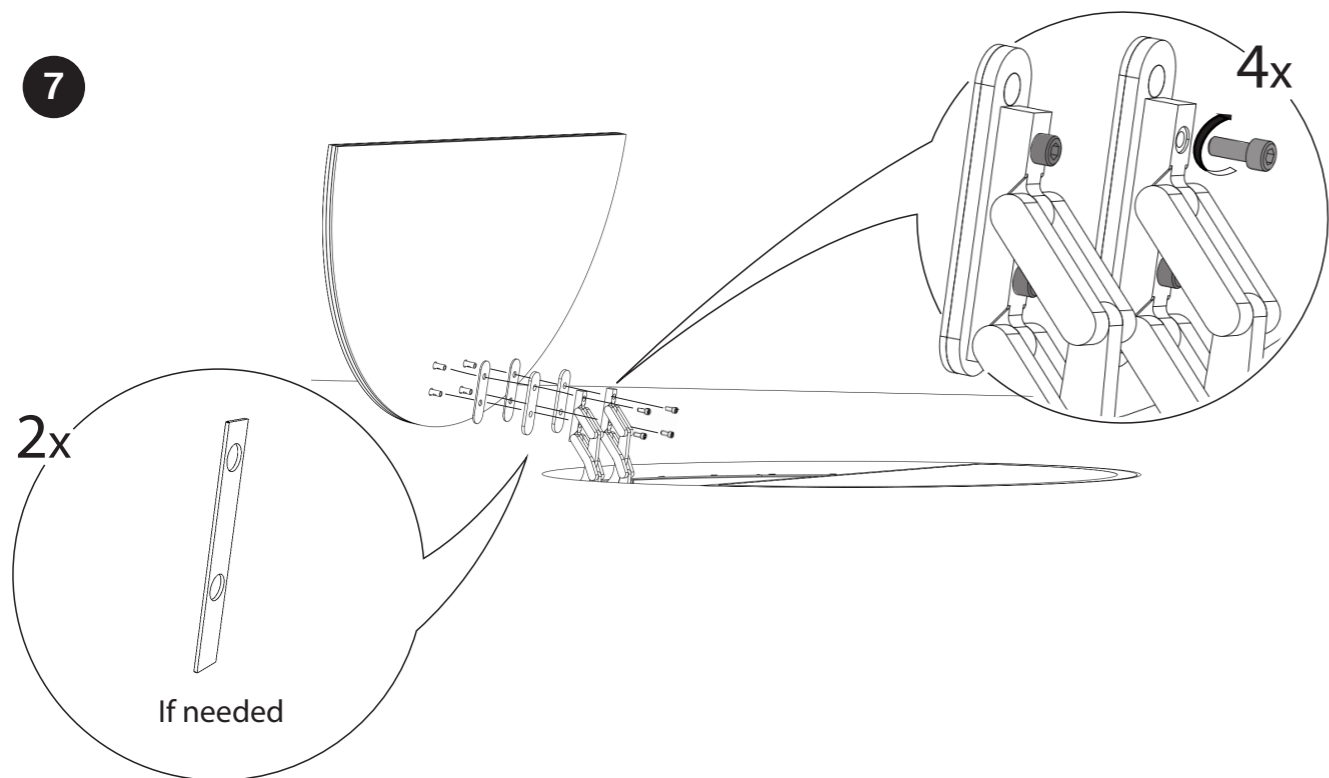


6

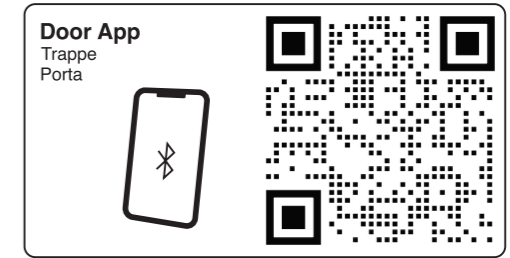


**ATTENTION!**  
 During manual actuation, the motor assists the opening.  
 Be careful of possible entrapments.  
 Do not place hands or objects between moving parts.

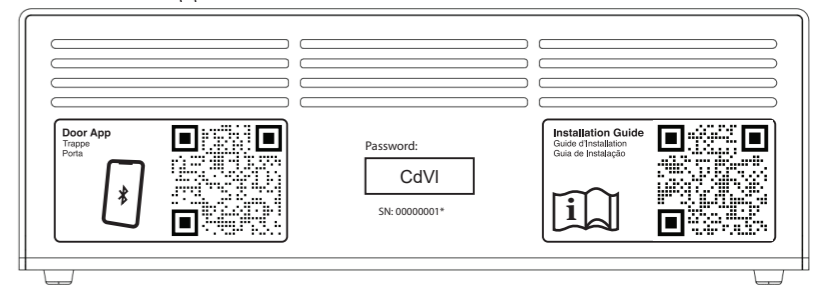
7



8



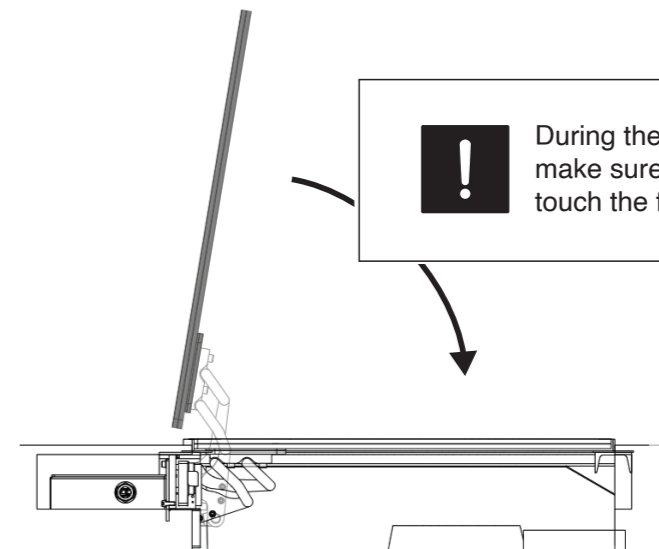
9



10

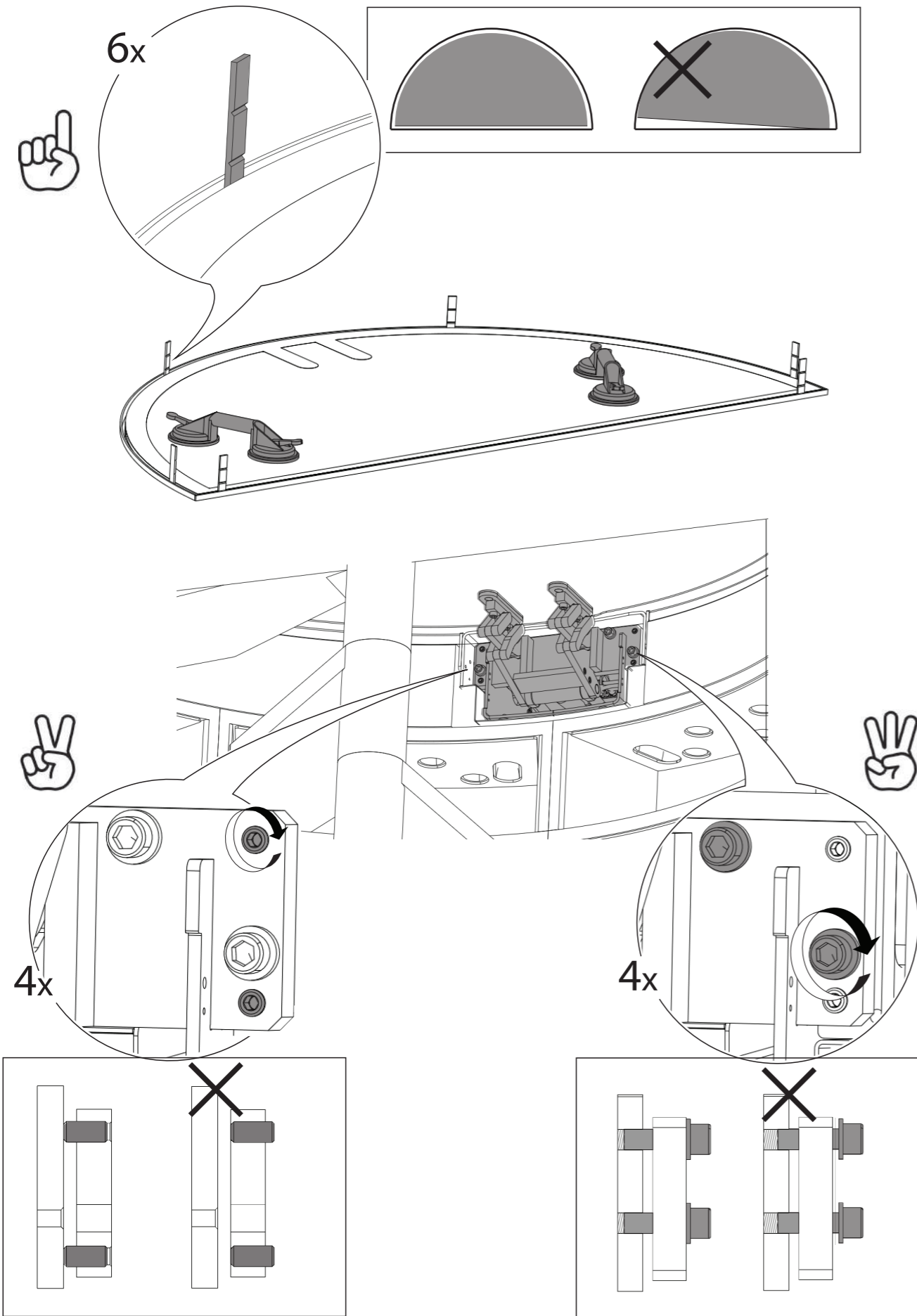


During the first descend  
 make sure the glass does not  
 touch the frame.

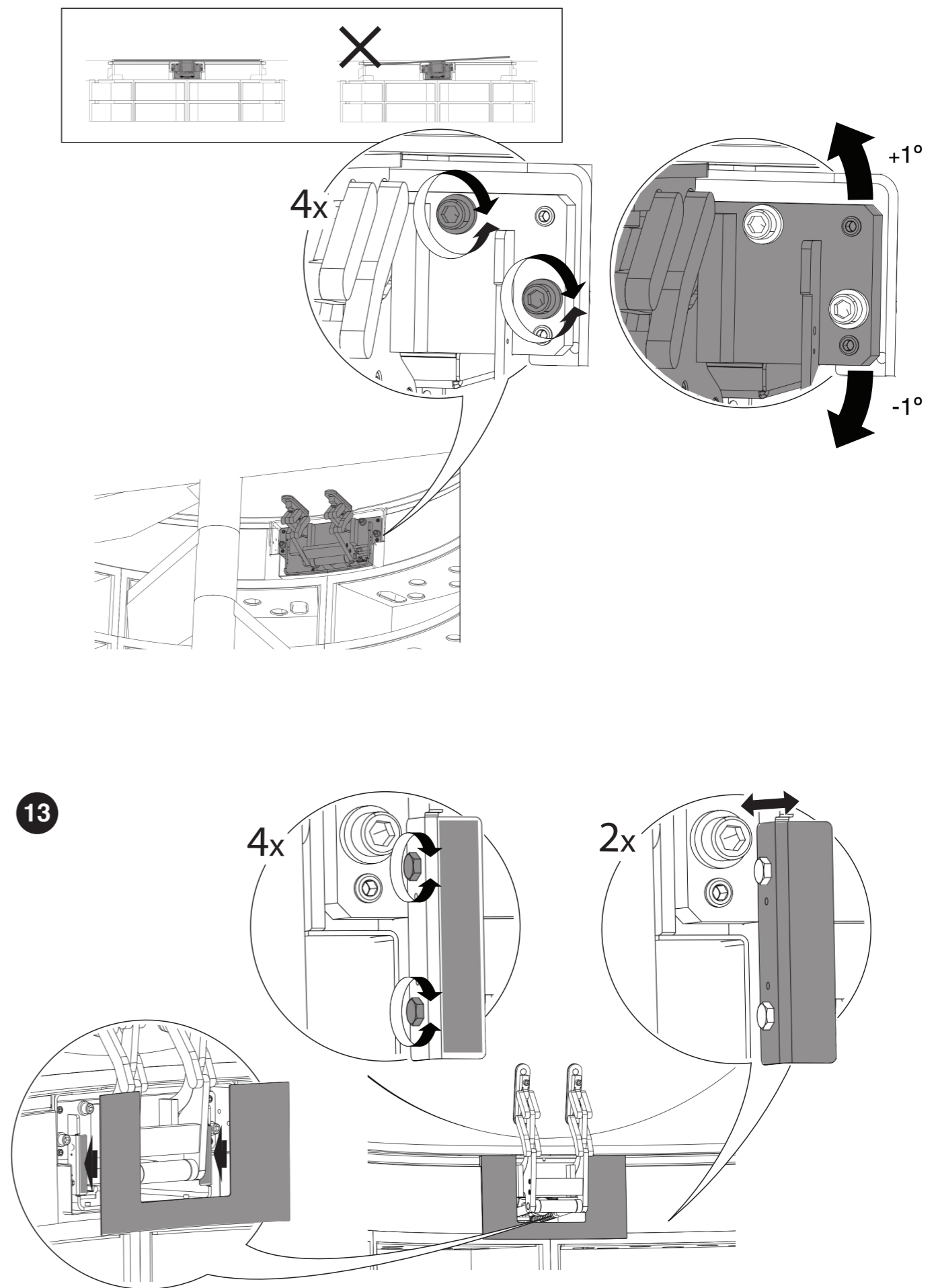


To operate the door with the wall button, see instructions on page 15.

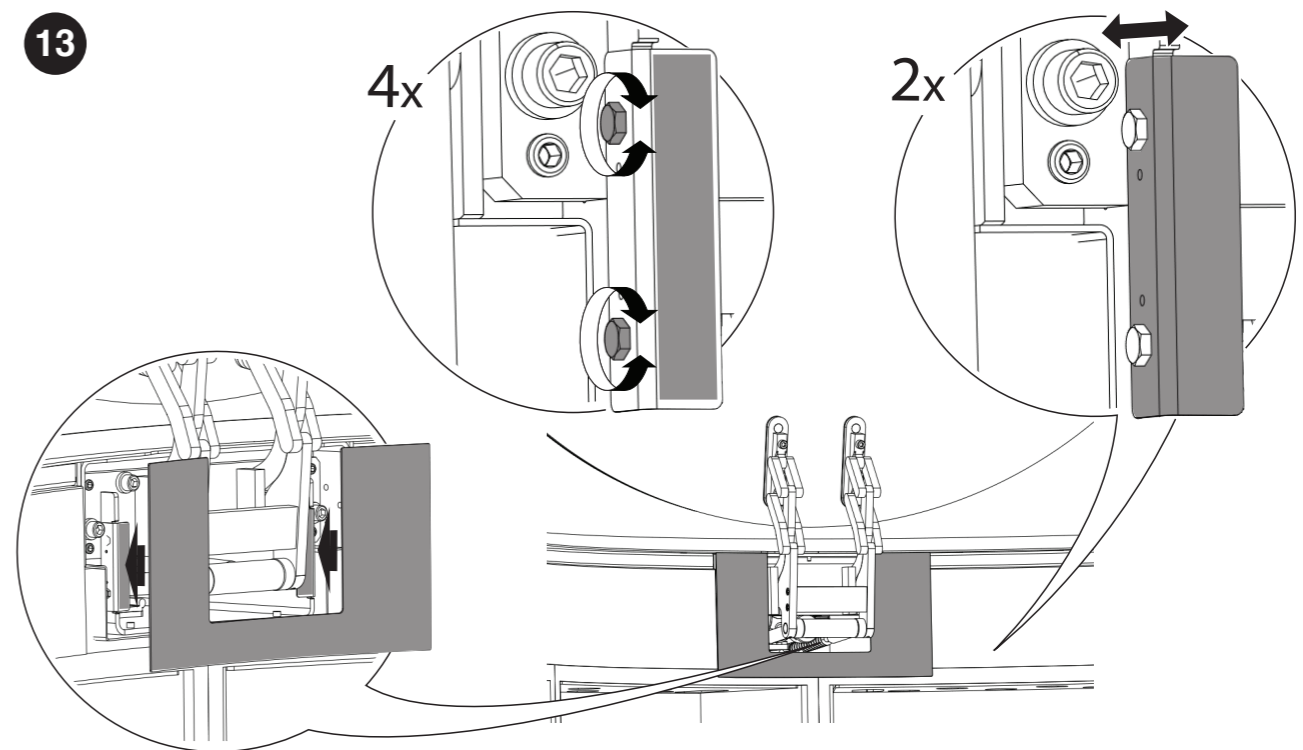
11



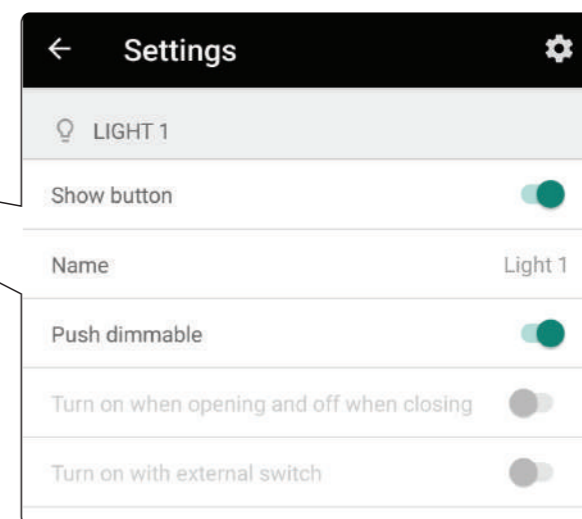
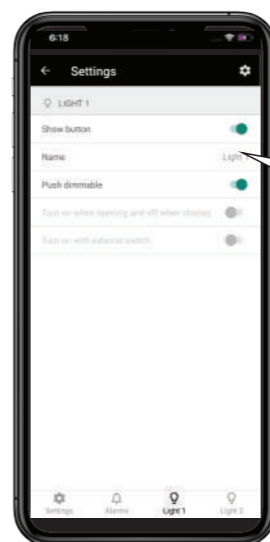
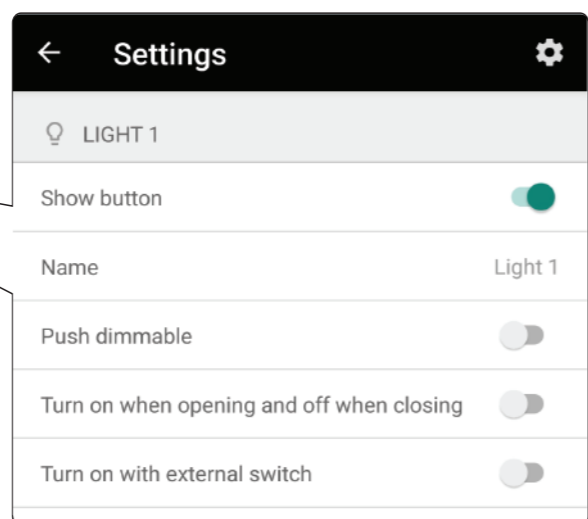
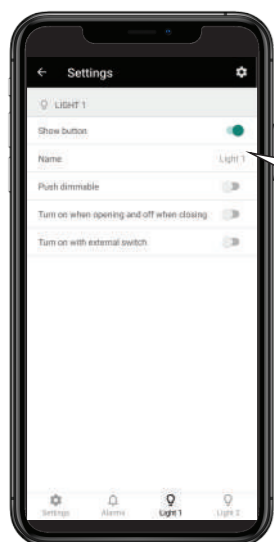
12



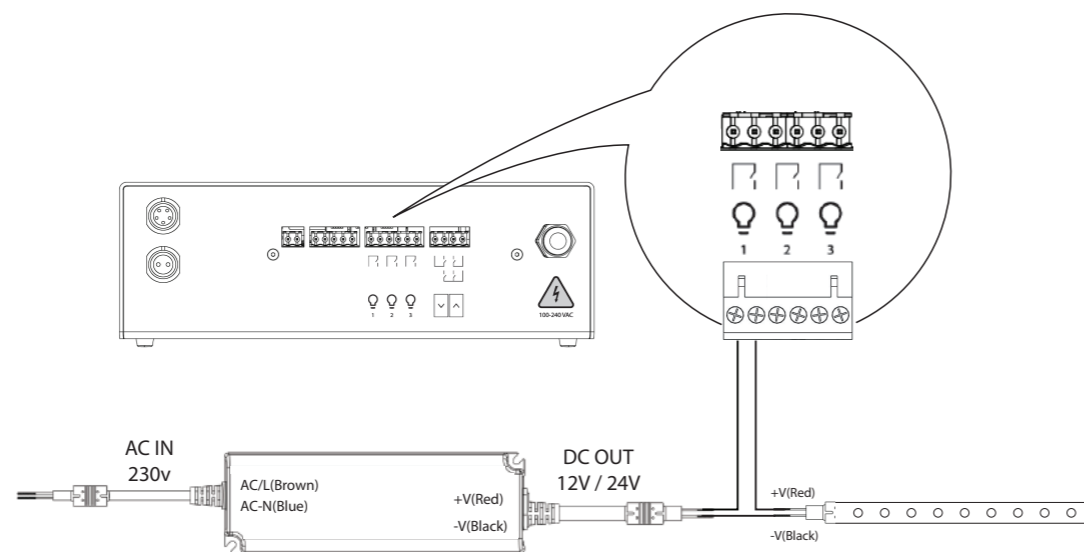
13



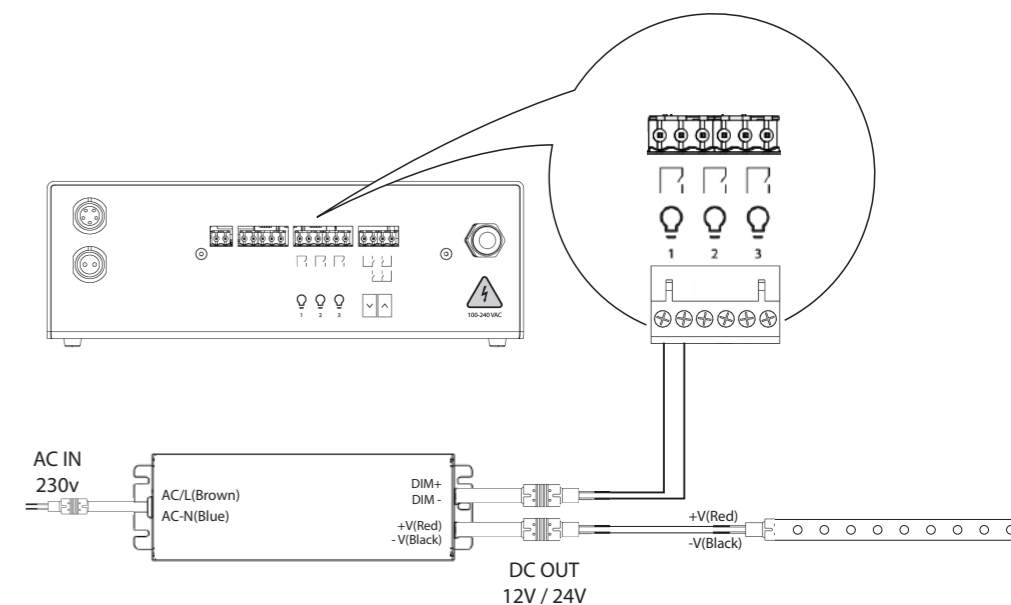
# Light Settings



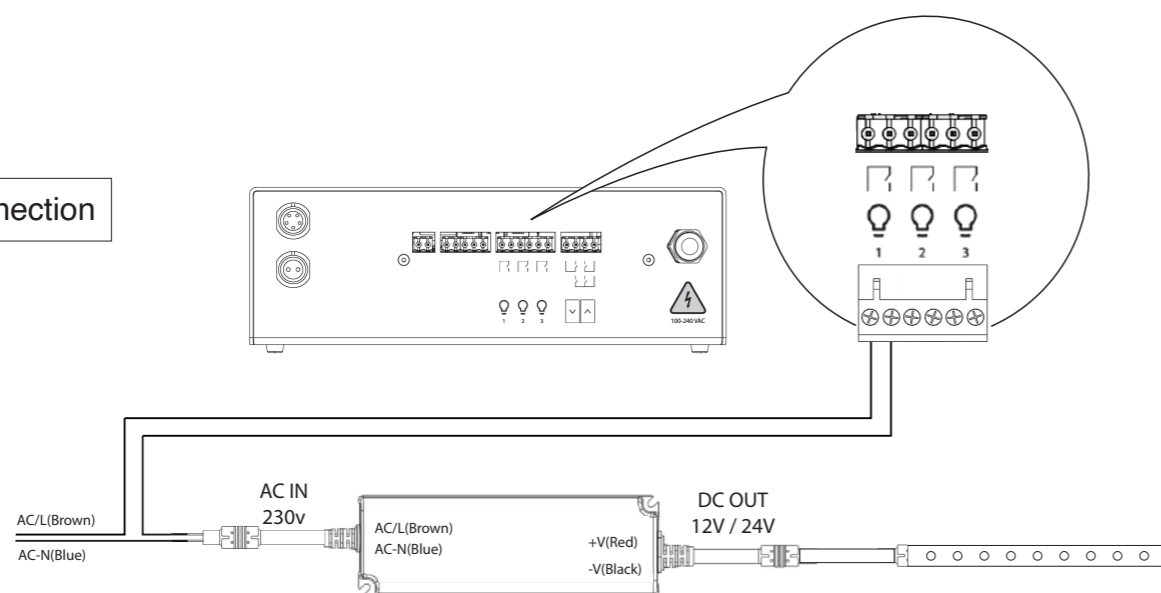
DC Connection



DIMM Connection

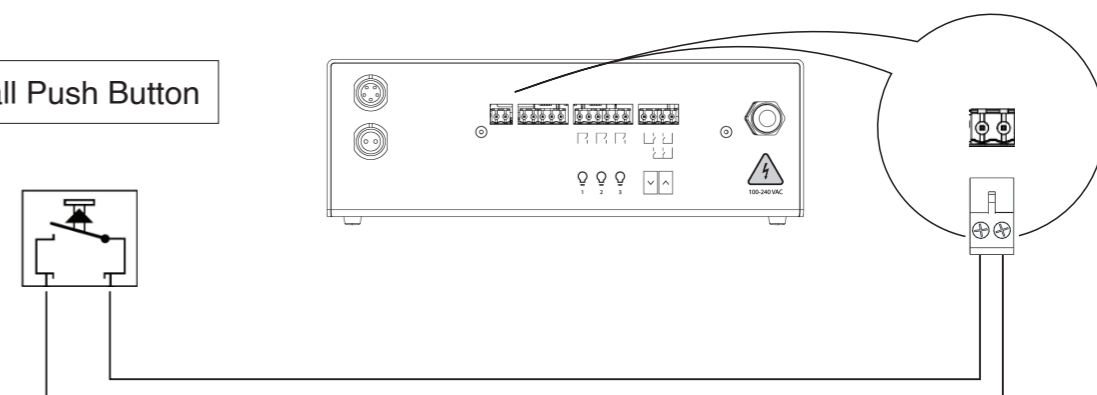


AC Connection



- ⚠
- Ø min: 2x0,25 mm / max: 2x1,5 mm;
- 0 volts - No current circuit;
- 1 - pole, 1 - way (make contact);
- Do not use an on/off switch.

Wall Push Button

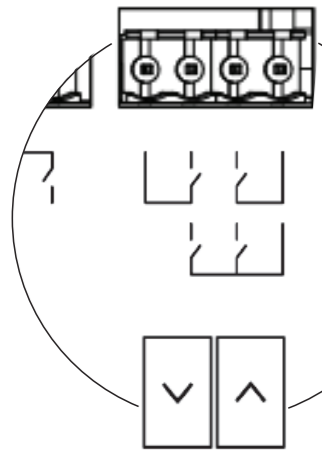
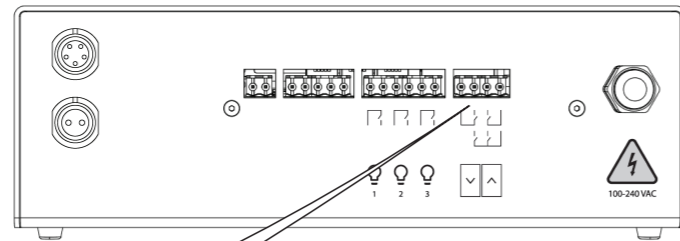




## Wall Button

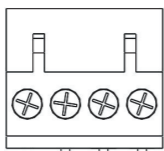
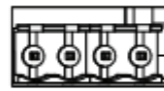


- Ø min: 3x0,25 mm / max: 3x1,5 mm;
- 0 volts - No current circuit;
- Continuous usage switch;
- Do not use an on/off switch. It may cause serious crushing risks..



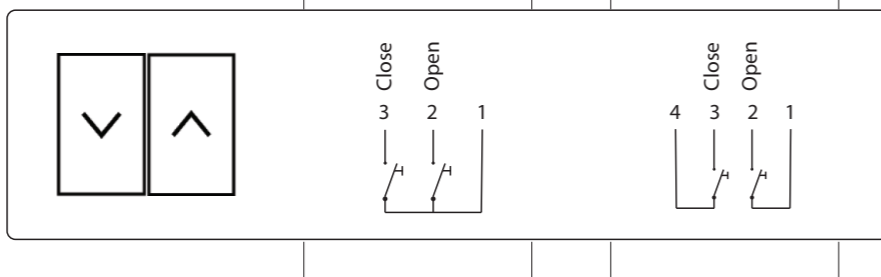
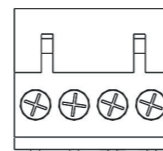
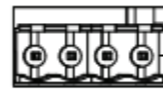
### Option A 3 cables

3 2 1

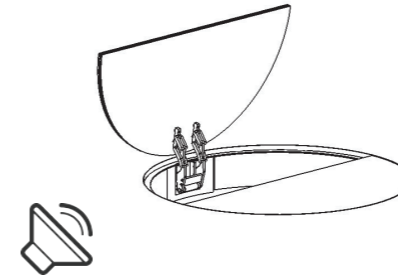


### Option B 4 cables

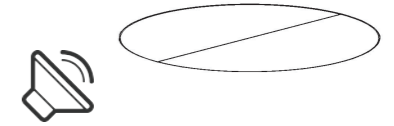
4 3 2 1



## Door Position Alerts



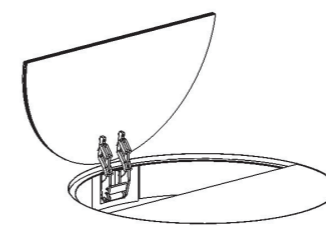
Long beep for fully open position.



Long beep for fully closed position.



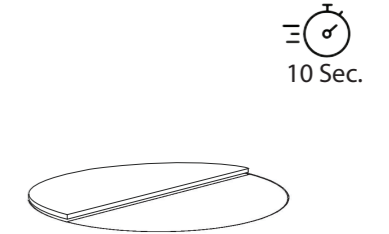
For safety reasons, when the door stays in partially open or fully open position, it emits short beeps.



5 Min.



**Fully Open:** Short beeps after 5 minutes.



10 Sec.

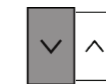


**Partially Open:** Short beeps after 10 seconds.



#### To reset:

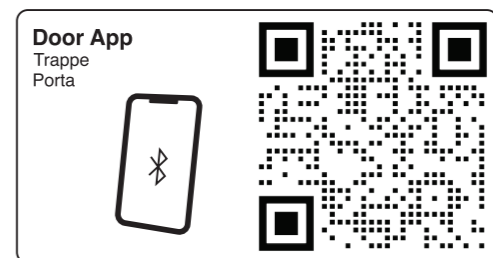
Press "Open" for a 5 minutes snooze.



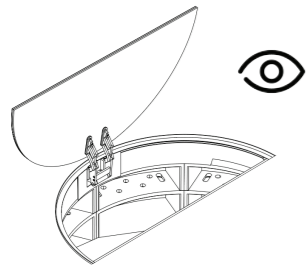
#### To stop:

Press "Close" until fully closed position.

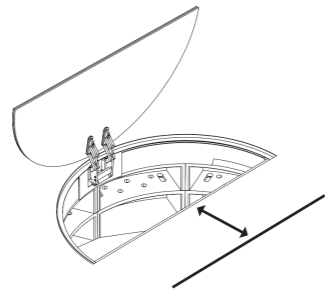
For advanced features  
use the app:



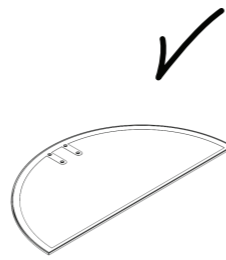
**⚠ Attention**



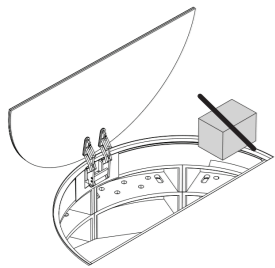
Monitor the door all the time during opening and closing operations.



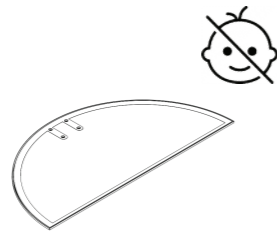
Keep a safe distance from the door during use.



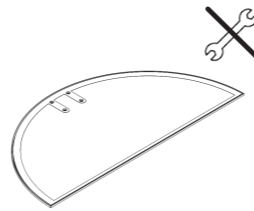
Make sure the door is completely closed after each use.



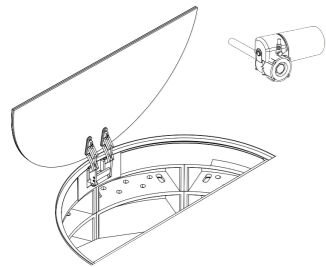
Do not leave objects near the door that could, inadvertently, block it.



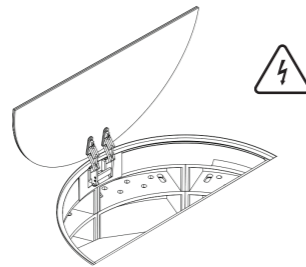
Keep door's controls out of reach of children.



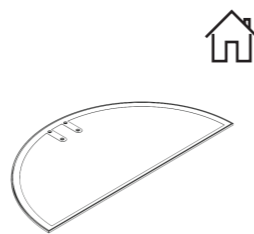
Assembly must be carried out by trained and qualified personnel.



Operating cycle of 10% or 2 minutes continuous followed by 18 minutes of pause.

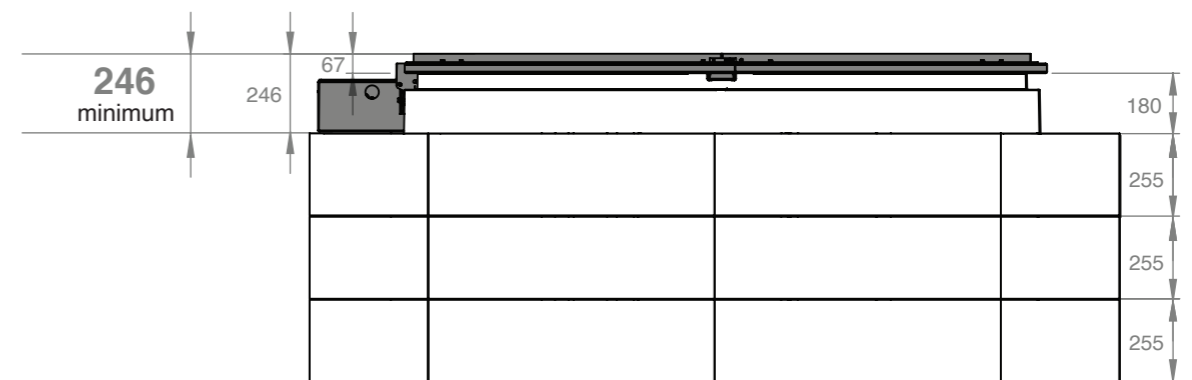
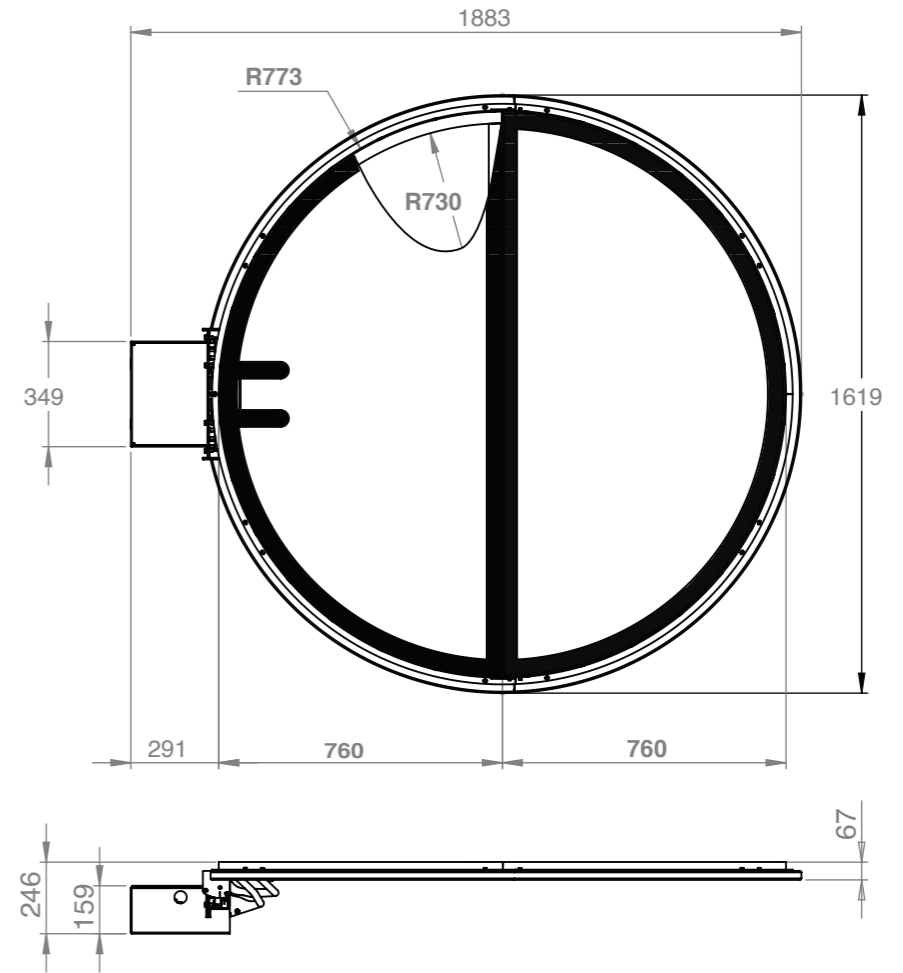


Nominal current: 10 A.  
Tension: 230V AC.



Indoor use only.

**Dimension (mm)**



## Troubleshooting

The door does not open.	I triggered the engine but the door does not open.	Make sure there aren't any objects on the door blocking it (if it's the case short bips will sound). <hr/> Make sure the button is constantly pressed during the opening cycle. <hr/> Verify if the electrical power is on. <hr/> Make sure the electrical installation scheme is in accordance with the instructions. <hr/> Contact a distributor.
	I manually trigger the door but it does not open.	Make sure there aren't any objects on the door blocking it. <hr/> Contact a distributor.
The door does not close	I triggered the engine but the door does not close.	Make sure there aren't any objects under the door blocking it. <hr/> Make sure the button is constantly pressed during the closing cycle. <hr/> Verify if the electrical power is on. <hr/> Make sure the electrical installation scheme is in accordance with the instructions. <hr/> Turn off Electronic Assistance. <hr/> Contact a distributor.

Designed and manufactured in Portugal by:  
NSL - Unipessoal Lda  
Rua Prof. Augusto Nobre, 451  
4150-119 - Porto

Doc.: MI - VB1 FR - 2025\_1  
Edited on 01/2025



CAVE DO VINHO

The cellar's doors have been developed to facilitate access to underground cellars, designed with an anti-crush system that gives them additional safety features. During closing, the motor does not exert any force on the door, thus avoiding serious injuries in the event of a blockage. The system also allows, in the event of an emergency or power outage, entry or exit of the cellar without the need for electrical resources.